

## TT-3084A Capsat® Fleet77



### Features

- Maritime communication terminal providing phone, fax, e-mail and Internet.
- 64 kbps ISDN (voice, fax, data).
- 3.1 KHz Audio
- Mini-M voice. Global coverage, 78° north to 78° south.
- Group 3 Fax capability.
- Global Voice Distress.
- Simple installation due to its lightweight and compact transceiver and antenna.
- Rapid configuration via handset or PC.
- Shipboard communication hub.
- Compact, convenient, cost-effective and reliable.
- Global coverage, 78° north to 78° south.

### Description

The TT-3084A Capsat® Fleet 77 communications terminal offers high-speed and cost effective voice and data communication based on either the MPDS (Mobile Packet Data Service) protocol charged for the amount transferred or on the 64 kbps ISDN PPP connection charged per minute.

With MPDS you are only charged for the amount of data transferred, not for the time the channel remains open, making it the most economic and convenient solution for e-mail, small and medium size transfer, LANs, VPNs and Internet.

ISDN service provides a high-capacity channel with a constant data stream and is usually preferable for up- or downloading large files and high quality voice.

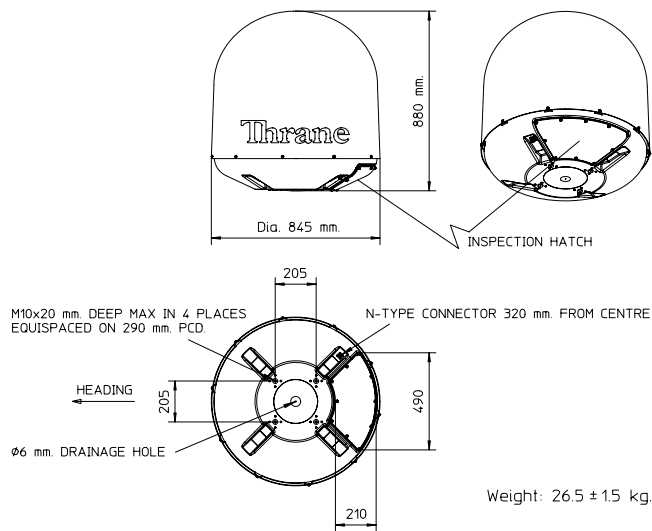
The tracking antenna is 88 cm high, has a diameter of just 84 cm and weighs only 27 kg. It is line replaceable and features a bottom hatch for easy service and maintenance access.

The Capsat® Fleet77 transceiver provides a constant two-way link to Inmarsat satellites offering all Inmarsat Fleet global communications. The system is accompanied by user-friendly software, which enables simple configuration from a standard PC.

The Capsat® Fleet77 transceiver and antenna provide the hub for online communication all the time via desktop phones, payphones, DECT phones and fax machines.

Connected to an IP router, the Capsat® Fleet77 terminal can integrate the vessel 24 hours a day with onshore management systems via the Web, including e-mail and Internet services.

The TT-3084A operates through the established network of Inmarsat and GPS satellites with interconnection to the international fax and packet switched data networks, offering fast and reliable transfer of information, 24 hours a day.



## Specifications

### Approvals:

Inmarsat Fleet77 approved.  
Compliant to FCC, title 47 part 25, section 25.216.  
Compliant to RTTE, CE Marked.

### Frequency Band:

Rx : 1525.0 – 1559.0 MHz.  
Tx : 1626.5 – 1660.5 MHz.  
Ch. spacing: 1.25 kHz – Rx.

### Recommended Antenna Cable:

N/N male, max. cable loss 10 dB at 1.6 GHz, 0.5 Ω at DC.  
1 – 10 m, RG223.  
10 – 30 m, RG214.  
30 – 50 m, SA07272.  
50 – 70 m, SA12272.

### Global Services:

Voice: 4.8 kbps Mini-M voice.  
3,1 khz audio  
Group 3 fax capability  
MPDS 64 kbps shared channel.  
ISDN 64 kbps PPP channel.

### Antenna Connector:

50 Ω N female.

### Interfaces:

1 RJ-45 ISDN NT1 S/T Bus.  
3 RJ-11 for 2-wire telephone/fax.  
2 DSUB-15 for 4-wire handset.  
1 50 Ω TNC female for antenna.  
1 DSUB-9 NMEA 2000/183.  
1 DSUB-9 RS-232 Port, 115 kbps.  
4 Discrete I/O.  
1 Power Port, 24 VDC floating.  
1 On/Off button.

### Power Supply and Consumption:

24 VDC - 10% / + 30%.  
Input circuit: floating.  
Max 240W

### Environmental Conditions:

Ambient temperature:  
-25 to 55 °C.  
Relative Humidity:  
95% non-condensing at +40 °C.

### Vibration (antenna):

4-10 Hz 2.54 mm, 10-15 Hz 0.76 mm,  
15-25 Hz 0.40 mm, 25-33 Hz 0.23 mm.

### Mechanical Shock:

20g/11ms half-sine.

### Ship Motions:

Roll +/-30°, Pitch +/-10°, Yaw +/-8°,  
Surge +/- 0.2g, Sway +/- 0.2g,  
Heave 0.5g, Turning Rate +/- 6 deg/s,  
Headway 30 knots.

### Dimension and Weight:

Antenna (TT-3008C):  
880 x Ø845 mm, 27 Kg.  
Transceiver (TT-3038C):  
53.75 x 377 x 163.7 mm, 2.6 Kg.  
Cradle (TT-3622B):  
100 x 145 x 42 mm, 0.24 Kg  
Handset (TT-3620F):  
200 x 52 x 33 mm, 0.25 Kg.

■ Our products are under continuous research and development. Any information may therefore be changed without prior notice. Capsat is a registered trademark of Thrane & Thrane A/S, Denmark.



Distributor: