

TAIYO

VHF ADDF

MODEL TD-L1550

A New Compact VHF Automatic Digital Direction Finder



GENERAL DESCRIPTION

Taiyo, the recognized leader in the design and manufacture of automatic direction finders, proudly introduces the new compact VHF Automatic Digital Direction Finder (ADDF) Model TD-L1550.

TD-L1550 provides a unique homing indicator as well as a digital readout.

Homing indicator is consist of 18 LEDs, and digital readouts are in one degree increments.

The digital display shows the bearing, the channel and gives a reading of the signal strength on a level meter as a measure of distance.

TAIYO MUSEN CO., LTD.

FEATURES

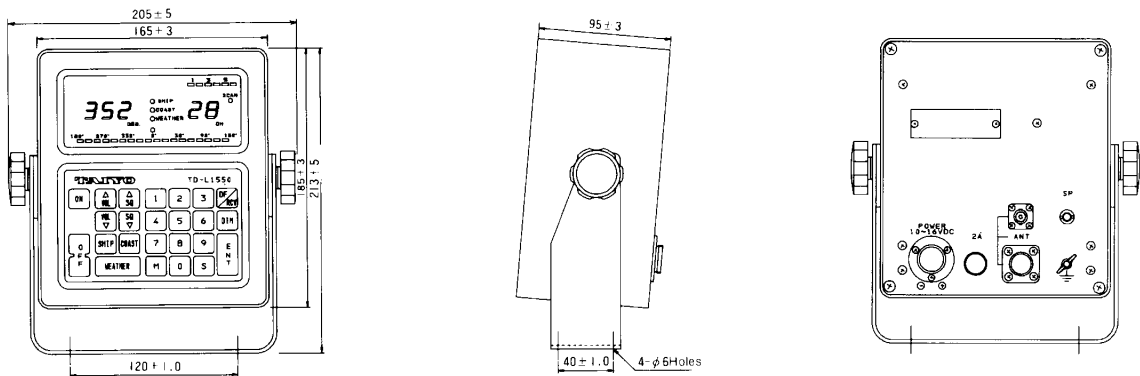
- Digital display of selected international channel and U.S. Weather Channels or Scandinavian Fishing VHF Channels (Scandinavian Fishing VHF Channels are available on option instead of U.S. Weather Channels) & 121.5 MHz distress frequency.
- Scanning with instant lock function for 100 channels in 10 groups.
- Homing indicator provides for much easier cruising.
- Synthesized double-superheterodyne receiving system.
- Very compact in size, durable and easy-to-use.

SPECIFICATIONS

Indicators	Digital bearing: 1° increments	Selectivity	More than ±5kHz at 6dB Less than ±12.5kHz at 40dB
Receiving Circuit System	Synthesizer	Image Rejection Ratio	Greater than 40dB
Receiving System	Double-superheterodyne	Squelch Sensitivity	1μV
Frequency Range	International VHF channel Ship to ship: 01 – 28 60 – 88 Ship to coast: 01 – 28 60 – 88 U.S. Weather channels (W1), (W2), (W3), (W4) Distress frequency 121.5MHz	Audio Output	2W
Scanning Reception	100 channels	Power Supply	DC 10 – 16V 1.0A
Receiving Waveform	F3E	Freezing Memory	Available
Sensitivity	For DF: Minimum field strength 1μV/m For RCV: 12dB SINAD 0.5μV	Antenna	H type Adcock antenna, Type: EA-351A
		Antenna Cable	Coaxial cable RG58A/U twin type 1 pair standard 10m
		Dimension and Weight of main unit	185(H)×165(W)×95(D)mm 2.7kg 7.28"(H)×6.50"(W)×3.74"(D) 5.95lbs
		Dimension and Weight of Adcock Antenna	930(H)×410(W)×410(D)mm 3kg 36.61"(H)×16.14"(W)×16.14"(W) 6.61lbs

FCC ACCEPTANCE NO. BAA9JKTD-L1550

OUTSIDE VIEW



mm

(Specifications and design subject to change without notice for future improvement)

PLEASE CONTACT

SKIPPER Electronics A/S
 Ryensvingen 5
 P.O.Box 151, Manglerud
 0612 Oslo
 NORWAY

Telephone: +47 23 30 22 70
 Telefax: +47 23 30 22 71
 E-mail: skipper@skipper.no
 Web: www.skipper.no
 Co.reg.no: NO-965378847 – MVA