

VHF Automatic Digital Direction Finder

TD-L1630



- Frequency range, 100 MHz ~ 169.999MHz
- Digital display of bearing data in 1° step, memory channel and frequency
- Ring LED display of relative bearing data with 36 LEDs in 10° step
- 4 modes of reception, Manual / Search / Spot / Scan
- Memory up to 30 frequencies for spot and scan reception
- Data hold and automatic restart in search and scan reception
- One-touch button operation for 121.5MHz and CH16
- Compact and user-friendly

VHF Automatic Digital Direction Finder TD-L1630 is the succeeding model of TD-L1620A adding the following functions with suitable structure for Flush Mount.

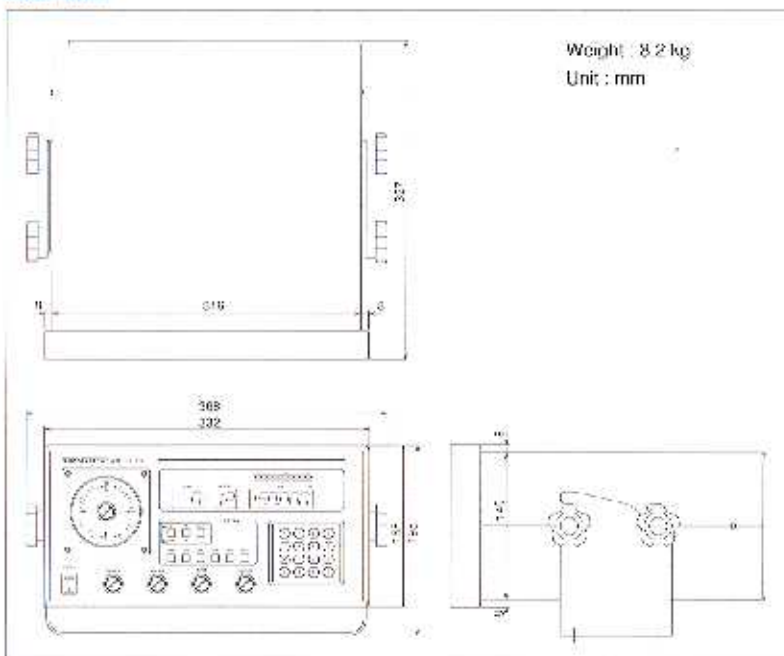
- User friendly operation panel - Single purpose switches are applied for function keys.
- One-touch reception of 121.5MHz and 16 CH by individual push button.
- Data output port (NMEA 0183, bearing data) is provided.

▼ Specifications

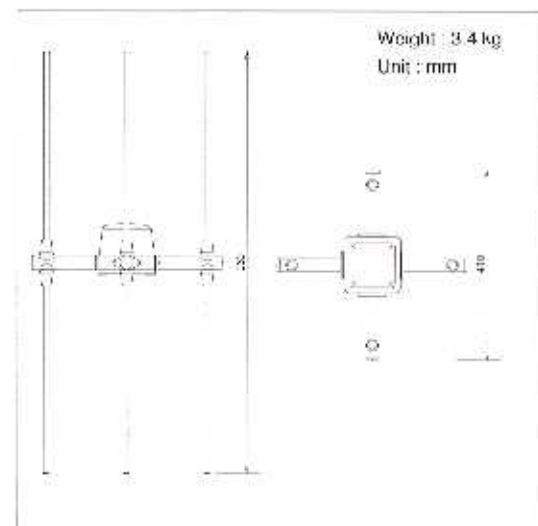
Receiving circuit	Synthesized Triple-superheterodyna
Bearing indicators	Digital, LCD 1° step Circle LED, 10° step
Frequency range	110 - 169.995 MHz, 5 kHz step
Receiving wave form	AM or FM
Spot reception	30 frequencies in memory channels
One-touch reception	121.5 MHz and 16 CH (individual push button)
Bearing accuracy	TD-L1630 Main unit: Better than $\pm 3^\circ$ (with Adcock antenna EA-351A: Estimated accuracy is better than $\pm 5^\circ$)
Sensitivity	Minimum field strength 0.5 μ V/m in DF mode; 20dB QS 2 μ V in RCV mode
Selectivity	± 8 kHz or more at -6 dB ± 12 kHz or less at -60 dB
Image rejection ratio	80 dB or more
Scanning reception	Scanning max. 10 frequencies/group x 3 groups (memory channel group)
Search reception	Fc (center frequency) = 500 kHz, 5 kHz step (Selectable any frequency within 110 - 169.995 MHz)
Data output	NMEA0183 (bearing data)
Audio output	1.8 W (impedance 4 Ω)
Input voltage	11 - 35 VDC
Antenna	H type Adcock antenna EA-351A
Antenna cable	Armored twin coaxial cable Standard: RG-58A/U (16m) Option: 5D-2V (17 - 29m), 8D-2V (30 - 50m)

▼ Outside view & Dimension

Main unit



Adcock antenna EA-351A



*The above descriptions subject to change without notice.

TAIYO MUSEN CO.,LTD.

2-20-7, Ebisu-Nishi, Shibuya-ku, Tokyo 150-0021 JAPAN
TEL: 81-3-3780-3221
FAX: 81-3-3496-3677
URL: <http://www.taiyomusen.co.jp>

PLEASE CONTACT